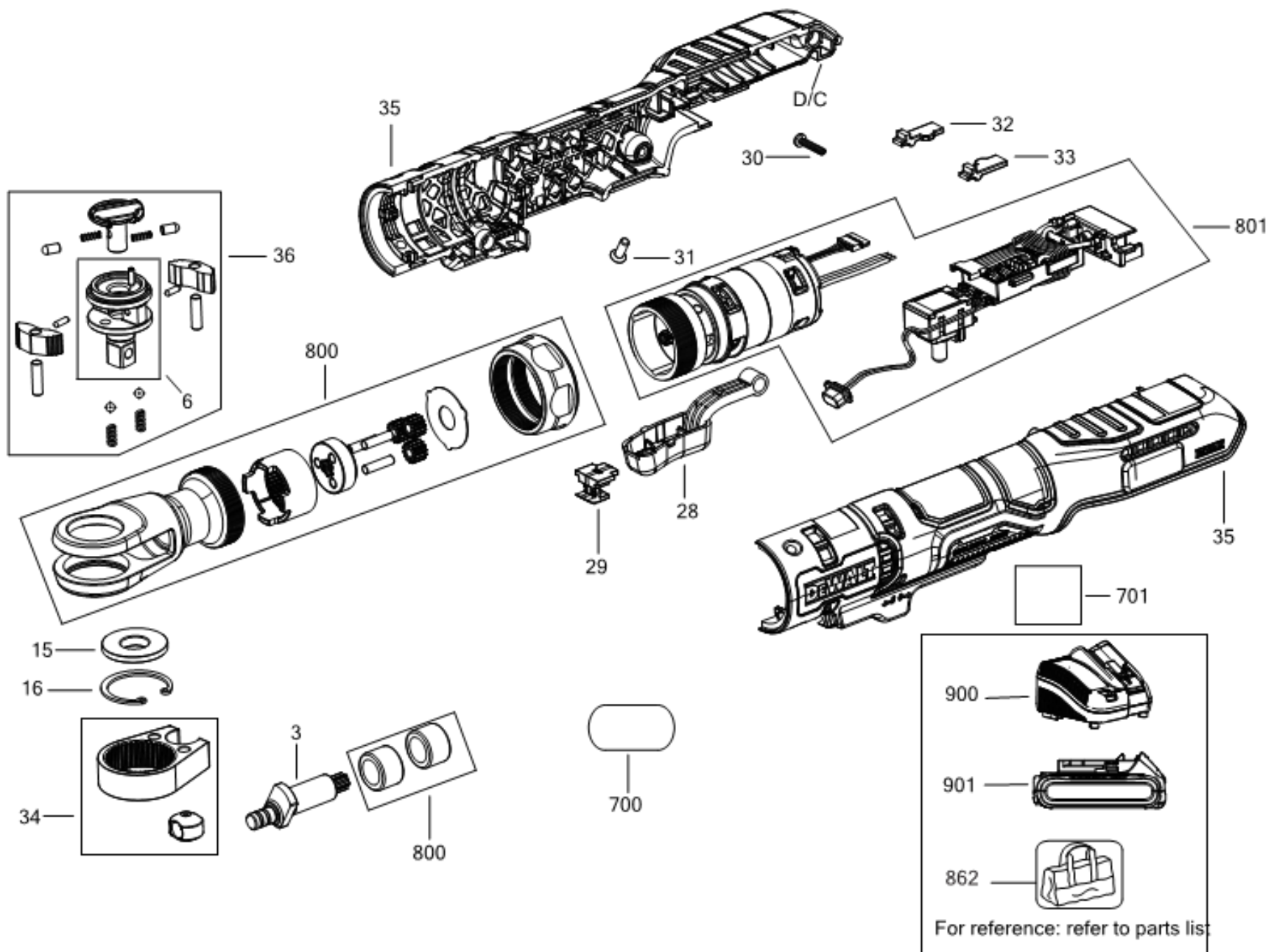


# DCF512D1 RATCHET 1



## Parts List DCF512D1 RATCHET 1

Item	Part Number	Qty	Part Description	General Description	Other Info	Repair Inst	Markets
3	N768335	1	CRANKSHAFT			No	QW
6	NA185499	1	ANVIL	½"		No	QW
15	N883202	1	PLATE			No	QW
16	N767442	1	CIRCLIP			No	QW
28	N720556	1	TRIGGER			No	QW
29	N878614	1	LOCK			No	QW
30	N463678	4	SCREW			No	QW
31	N891761	5	SCREW			No	QW
32	N728006	1	BUMPER			No	QW
33	N728008	1	BUMPER			No	QW
34	NA189036	1	YOKE			No	QW
35	NA120320	1	HOUSING SA			No	QW
36	NA189034	1	ANVIL ASSEMBLY	½ INCH		No	QW
700	NA082189	1	RATING PLATE			No	QW
701	NA087793	1	LABEL			No	QW
800	NA229947	1	HEAD SA			No	QW
801	NA358375	1	MOTOR SA			No	QW
862	NA086308	1	BAG			No	QW
900	NA010209	1	CHARGER 10.8V - 18V	DCB115		No	QW
901	NA143004	1	BATTERY 18V - 2.0AH - 36WH	DCB183G		No	QW